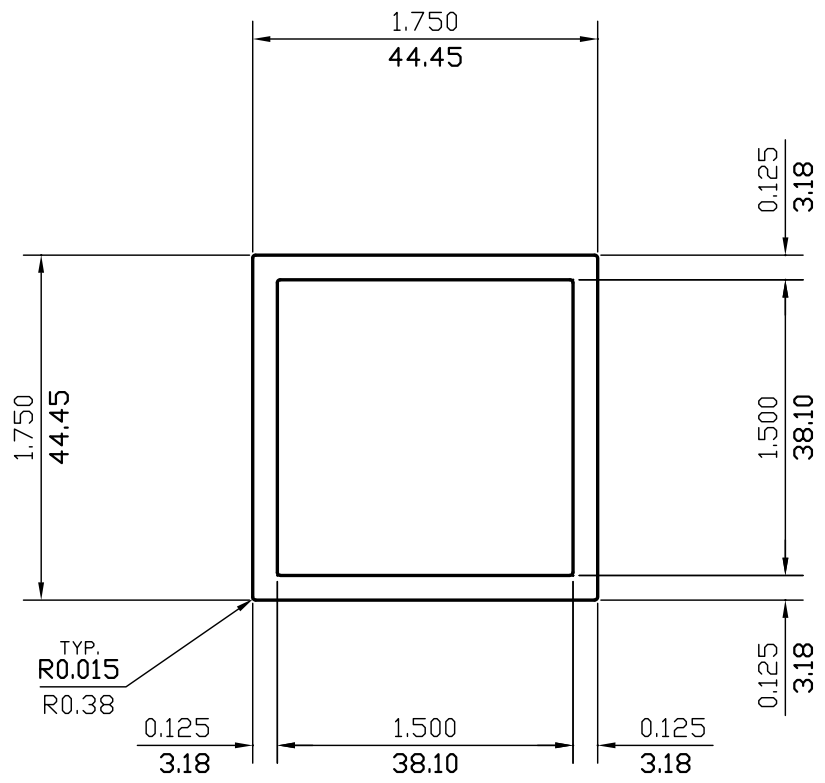


NOTE: BREAK ALL CORNERS WITH 0.015" (.38 MM) RADIUS UNLESS OTHERWISE NOTED. STANDARD TOLERANCES TO APPLY UNLESS OTHERWISE SPECIFIED.

CUSTOMER PART No.	CAN ART STD.	DIE No. EH05632
DESCRIPTION	1-3/4" x 1-3/4" x .125" SQ. TUBE	PROPOSAL No. H-8732



WALL THICKNESS **0.125 (3.18)** EXCEPT AS SHOWN

DATE	REV	DESCRIPTION	BY			
03/13/23	2	REMOVED ALLOY	JASON			
09/26/00	1	UPDATED DRAWING	P.M.			
EST.AREA	0.812	IN. ²	EST.AREA	524.072	MM. ²	
EST.WT.	0.959	LBS./FT.	EST.WT.	1.426	KG/M.	
EST.PER.	12.974	IN.	EST.PER.	329.546	MM.	
OUT PER.	6.974	IN.	OUT PER.	177.1	MM.	
C.C.D.	2.462	IN.	C.C.D.	62.546	MM.	
FACTOR	14	FINISH	PAINT	ALLOY & TEMP.		
CKD BY	SCALE	1:1	DWN BY	M.P.	DATE	05/12/99

CAN ART

ALUMINUM EXTRUSION INC.

85 PARKSHORE DRIVE
BRAMPTON, ONT L6T 5M1
TEL. NO. (905) 791-1464
FAX NO. (905) 791-9151
E-MAIL: canart@canart.com

THIS DRAWING IS NOT NECESSARILY A COPY OF YOUR ORIGINAL. PLEASE APPROVE DIMENSIONS AND TOLERANCES INDICATED. CAN ART ASSUMES NO RESPONSIBILITY EITHER TECHNICAL OR LEGAL FOR HAVING THIS SHAPE MADE. THE CUSTOMER AGREES TO FULLY PROTECT CAN ART ALUMINUM FROM CLAIMS OF OTHERS RESULTING FROM THIS SHAPE.

SIGNED: _____ DATE: _____